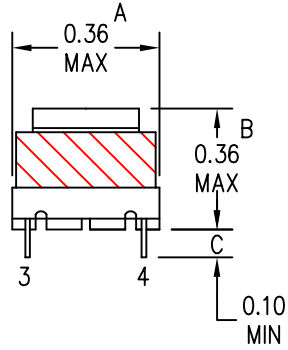


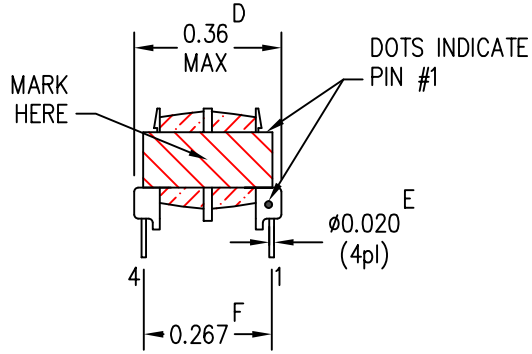


COURTESY DRAWING

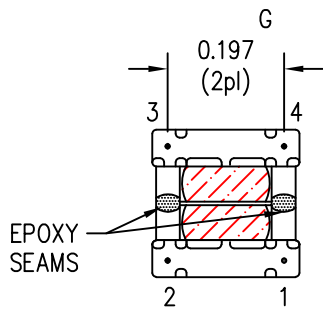
FRONT VIEW



SIDE VIEW



BOTTOM VIEW



ELECTRICAL TEST PARAMETERS:

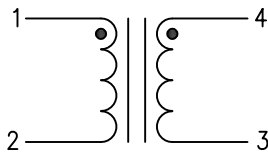
INDUCTANCE @ 10kHz/0.1VAC
BALANCE WITHIN 2%
 L(1-2)=2.00mH MIN
 L(3-4)=2.00mH MIN

LEAKAGE INDUCTANCE @ 100kHz/0.1VAC
SHORT PINS: 3,4
 LL(1-2)=18.0µH ±20%

DC RESISTANCE OHMS (Ω) @ 25°C
 DCR: (1-2)=0.41Ω ±15%
 (4-3)=0.41Ω ±15%

HIPOT
 APPLY: 1500VAC @ 60Hz FOR 2 SEC, 5mA MAX
 BTWN 1 TO 4

SCHEMATIC



FILE NAME
RLTI-1081

- TOLERANCES -		CUSTOMER NAME		THIS COURTESY PRINT IS PROPRIETARY AND CONFIDENTIAL NO PART OF THIS COURTESY PRINT MAY BE DISCLOSED TO A THIRD PARTY WITHOUT PRIOR WRITTEN CONSENT FROM RENCO ELECTRONICS INC.	
UNLESS OTHERWISE SPECIFIED DIMENSIONS ARE IN INCHES		CDI			
.XX=±	0.03	DESCRIPTION		THIS DOCUMENT IS FOR REFERENCE ONLY	
.XXX=±	0.015	EE8.3 CM CHOKE			
ANGULAR=±	3°	ENGINEER CONTACT	DWN BY		
FRACTIONAL=±	1/16"	I. RENSING	M. HILLER		
		DATE	SCALE	RoHS COMPLIANT: YES <input checked="" type="checkbox"/> NO <input type="checkbox"/>	
		05/16/19	NONE	REV	PAGE
				B	1 OF 1